

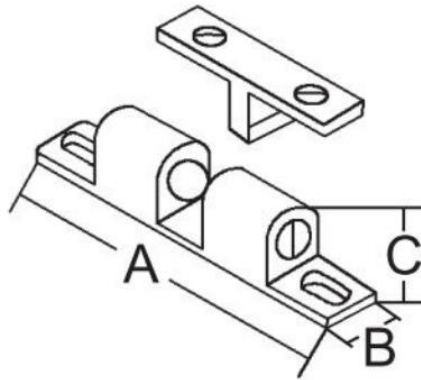
GM-BC Stainless Steel 316 Ball Catch

Features

- Can be adjusted easily after installation for perfect alignment
- Comes with BCP slotted screws
- Uses screw size #6

Material

- Stainless steel 316



Part No.	A	B	C
GM-BC-J121518	51	9	11
GM-BC-J221850	64	10	13

GM-BC Brass Ball Catch

Features

- With twin spring loaded ball bearings

Material

- Brass



Part No.	Length	Width	Height
GM-BC-I421056	44	8	11
GM-BC-I421058	60	11	16